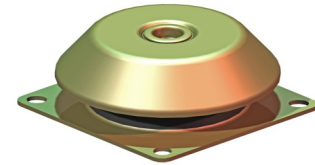




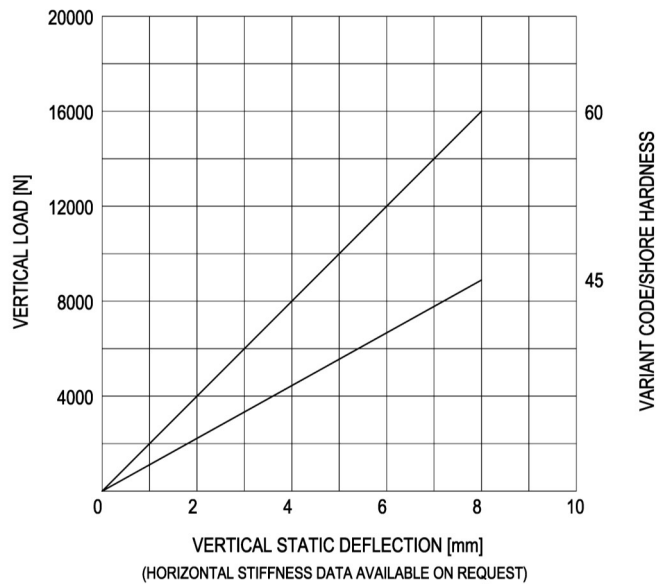
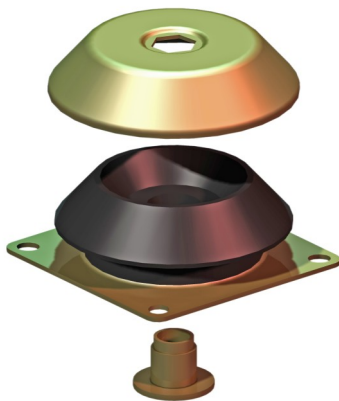
GM-Mounting
type 10-GM-1600-A
 Max. 1600 kg - 8 mm - 5.5 Hz

GM-Mountings are very suitable for stationary and mobile applications. These compact anti-vibration mountings are easy to install and offer a high level of vibration and acoustic insulation. The integrated rebound control-device limits excessive movement under external loads. GM-Mountings are available in several rubber mixes to accommodate a large load range. These mountings can be supplied with a height adjustment feature and are also available with M16 inner thread.



Applications: generator sets, pump units, compressor skids, etc

LOAD CHARACTERISTICS



SIDE-VIEW

TOPVIEW

