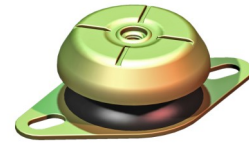


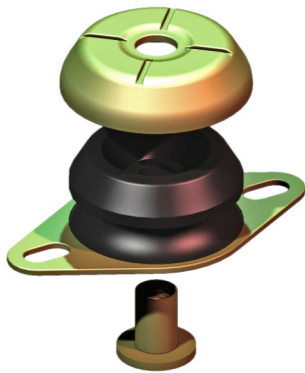


GM-Mounting
type 10-GM-250-A
 Max. 200 kg - 4.5 mm - 7.5 Hz

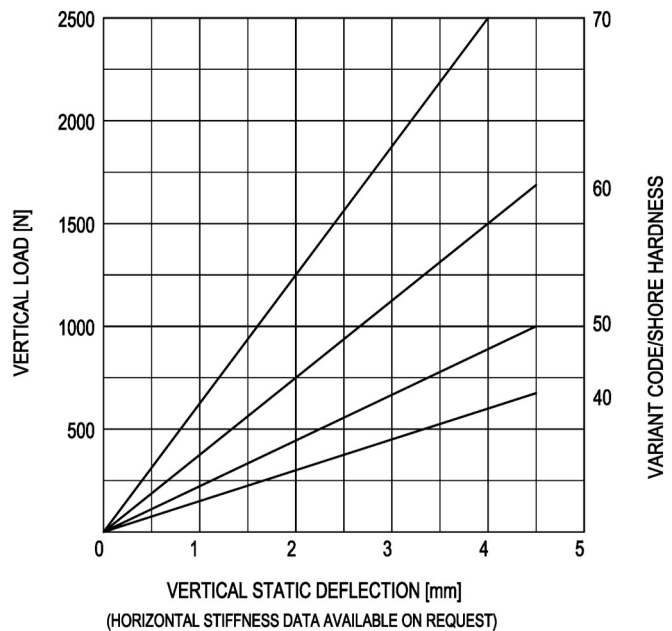
GM-Mountings are very suitable for stationary and mobile applications. These compact anti-vibration mountings are easy to install and offer a high level of vibration and acoustic insulation. The integrated rebound control-device limits excessive movement under external loads. GM-Mountings are available in several rubber mixes to accommodate a large load range. These mountings can be supplied with a height adjustment feature and are also available with M10 inner thread.



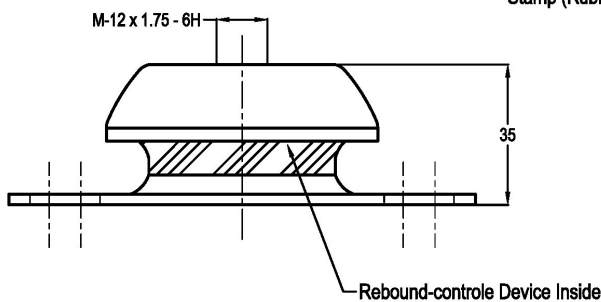
Applications: generator sets, pump units, compressor sets, etc.



LOAD CHARACTERISTICS



SIDE-VIEW



TOPVIEW

