

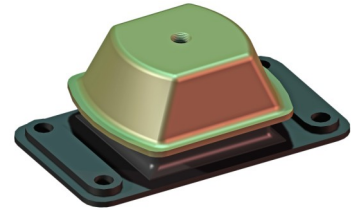


# IM-Mounting

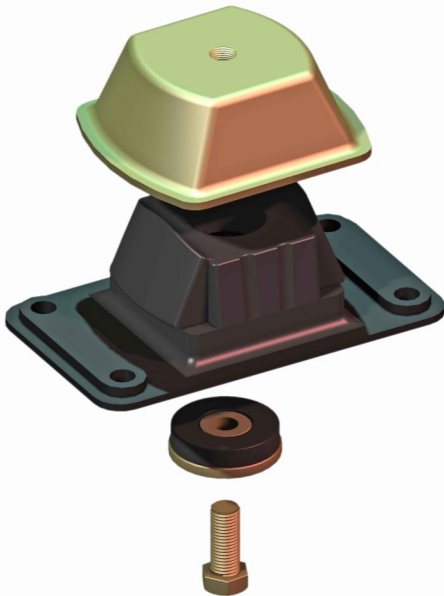
## type 10-IM-2500-A

Max. 3000 kg - 8 mm - 5.5 Hz

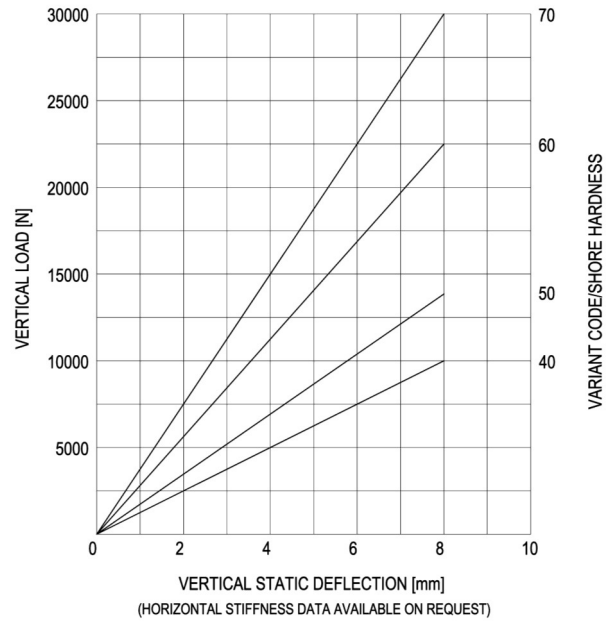
**IM-Mountings** are very suitable for mobile applications. These compact anti-vibration mountings are easy to install and offer a high level of vibration insulation. The integrated rebound control-device limits excessive movement under shock loads. IM-Mountings are available in several rubber mixes to accommodate a large load range. These mountings can be supplied with a height adjustment feature.



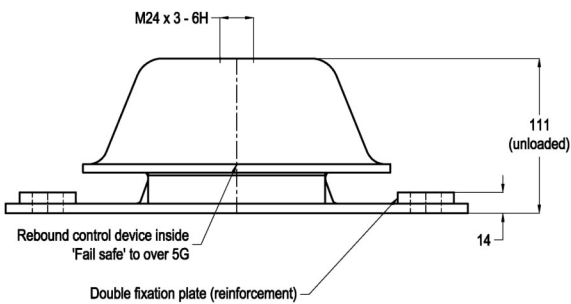
Applications: marine propulsion-engines, generator sets, pump units, compressor sets, etc.



### LOAD CHARACTERISTICS



### SIDE-VIEW



### TOP-VIEW

