

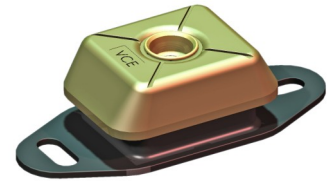


IM-Mounting

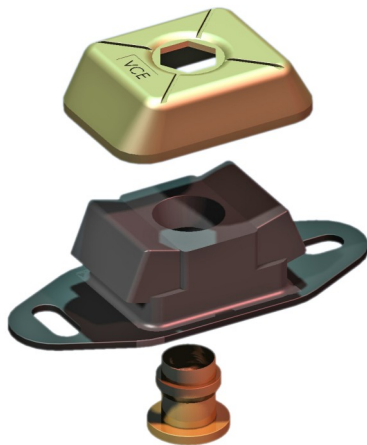
type 10-IM-350-A

Max. 350 kg - 5 mm - 7 Hz

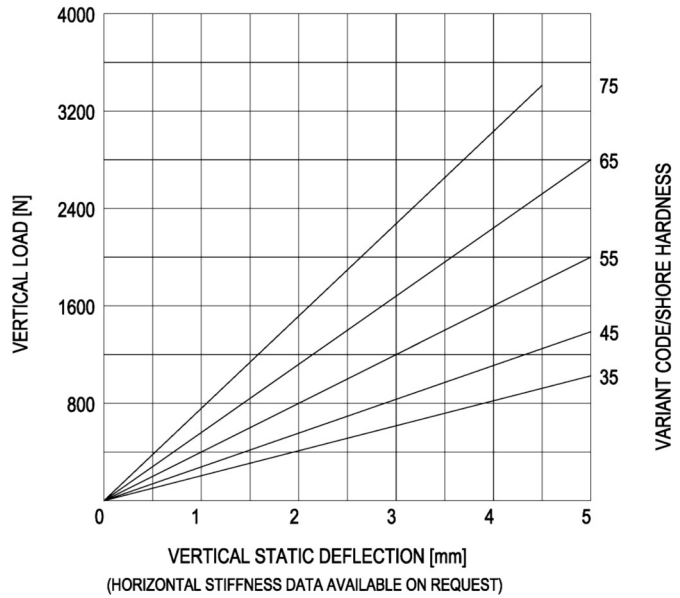
IM-Mountings are very suitable for mobile applications. These compact anti-vibration mountings are easy to install and offer a high level of vibration insulation. The integrated rebound control-device limits excessive movement under shock loads. IM-Mountings are available in several rubber mixes to accommodate a large load range. These mountings can be supplied with a height adjustment feature.



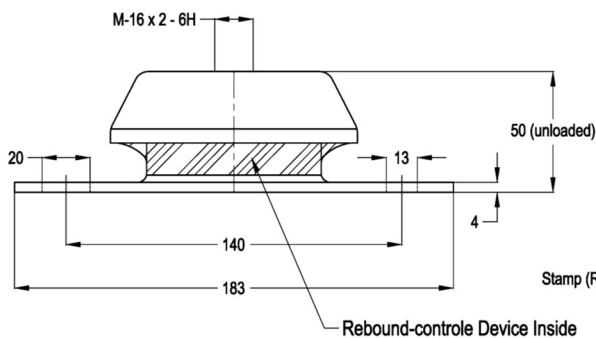
Applications: marine propulsion-engines, generator sets, pump units, compressor sets, etc.



LOAD CHARACTERISTICS



SIDEVIEW



TOPVIEW

