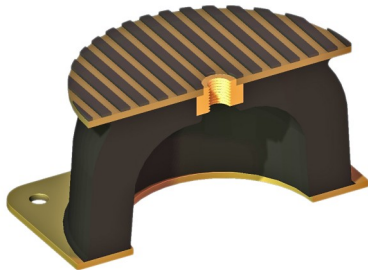
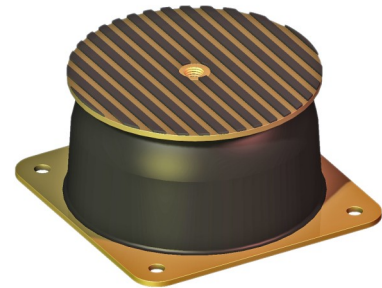




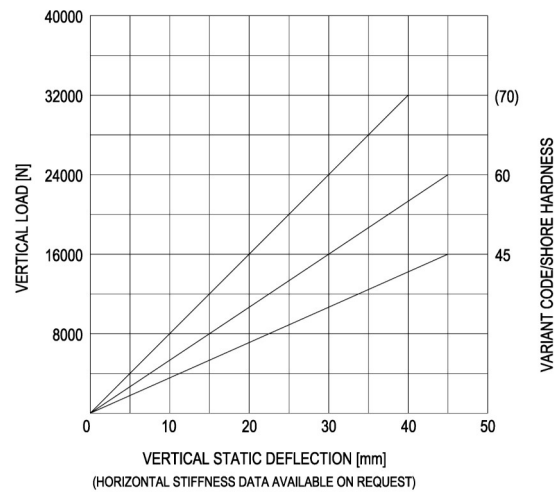
LN-Mounting
type 10-LN-2500-B
 Max. 2500 kg - 40 mm - 2.5 Hz

LN-Mountings are suitable for static applications such as generator sets, cooling machinery, heavy (sensitive) machinery and floating floor systems. Optimum load-deflection properties, i.e. high load capacity and large static deflections can be provided within acceptable space envelope limitations. These mountings are produced in a variety of rubber mixes. For the selection of these mountings we advise you to consult our engineers.

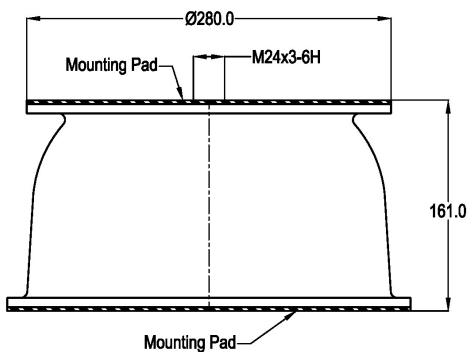
Applications: total-energy-units, generator sets, cooling equipment, floating floor systems etc.



LOAD CHARACTERISTICS



CROSS-SECTION



TOP-VIEW

