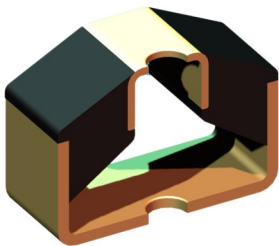
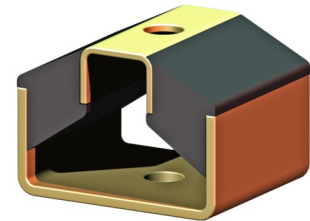


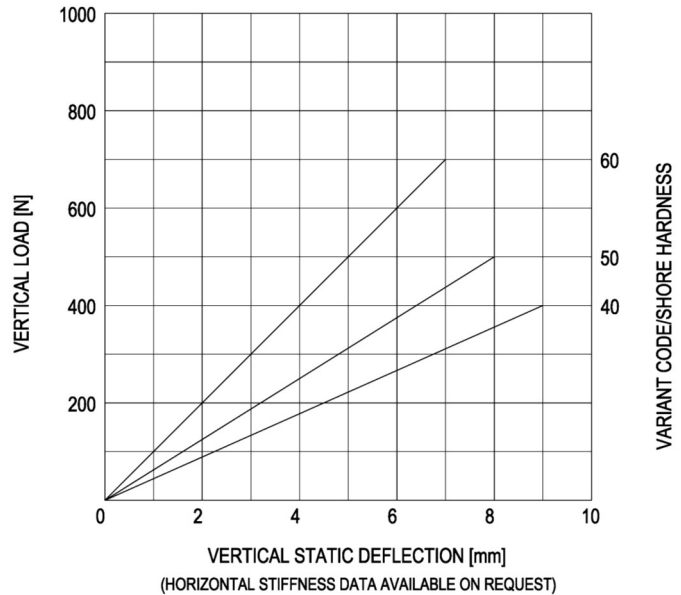
**UM-Mounting**  
**type 10-UM-100-A**  
**Max. 100 kg - 4 mm - 8 Hz**

**UM-Mountings** are used to isolate both shock and vibration. They are easy to install and offer a high level of shock and vibration insulation. This makes the UM-Mountings also very suitable for sensitive equipment. UM-Mountings are available in various rubber mixes

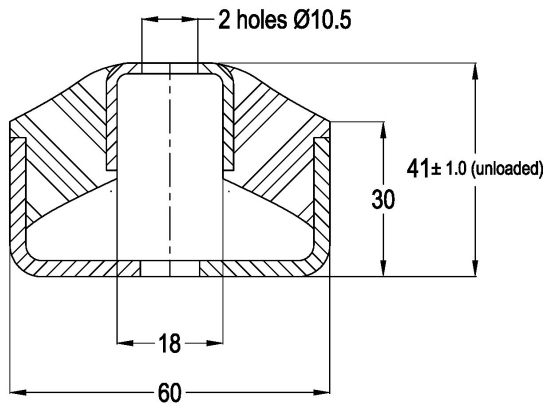
Applications: ventilation units, cooling equipment, generator sets, vacuum pumps, compressor sets, etc.



**LOAD CHARACTERISTICS**



**SIDE-VIEW**



**TOPVIEW**

