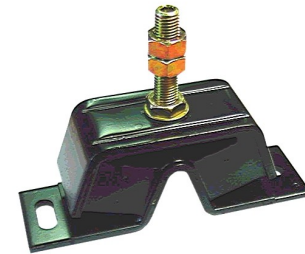


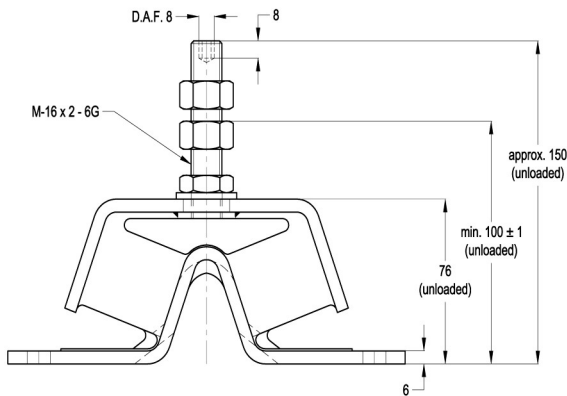
**YM-Mounting**  
**type 10-YM-200-B**  
**Max. 100 kg - 6 mm - 6.5 Hz**

**YM-Mountings** are V-shaped anti-vibration mountings offering a high level of vibration insulation against high amplitudes (particularly on 2, 3 and 4 cylinder engines). This makes the YM-Mountings very suitable for 'light' marine applications. These mountings are supplied with a height adjustment feature.

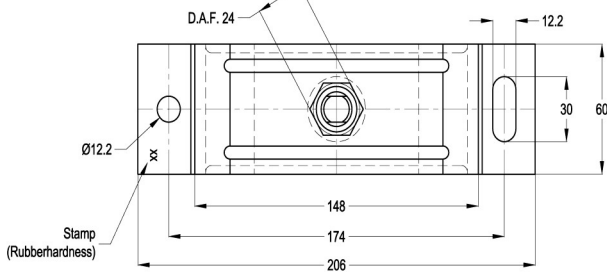
Applications: generator sets, marine and industrial engines, etc.



**SIDEVIEW**



**TOPVIEW**



**LOAD CHARACTERISTICS**

