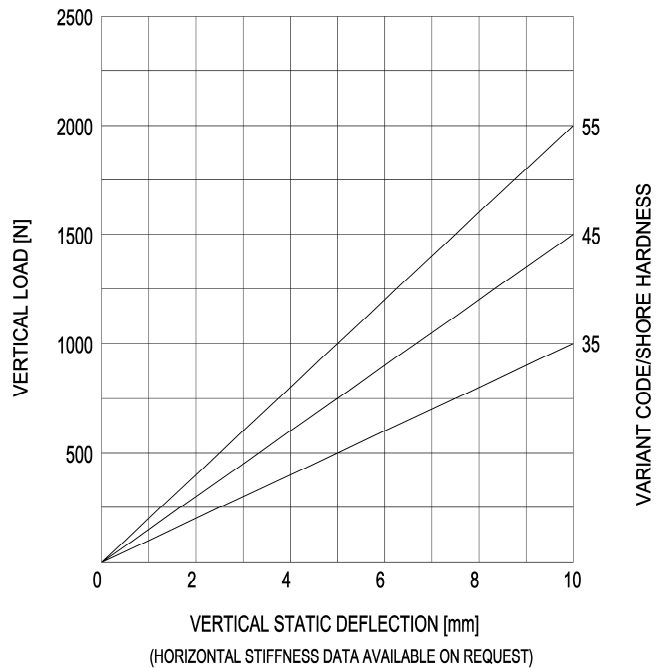
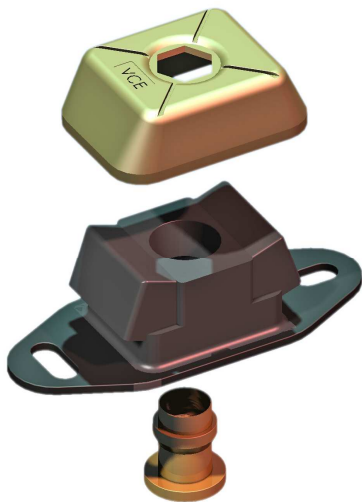


IM-Mounting
type 10-IM-250-A
 Max. 200 kg - 10 mm - 5 Hz

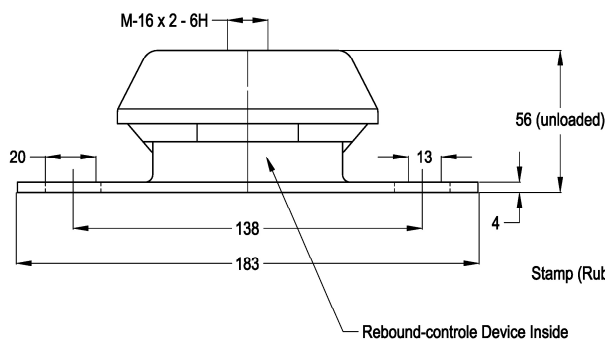
GM-Mountings are very suitable for stationary and mobile cooling and ventilation applications. These compact anti-vibration mountings are easy to install and offer a high level of vibration and acoustic insulation. The integrated rebound control-device limits excessive movement under external loads. GM-Mountings are available in several rubber mixes to accommodate a large load range. These mountings can be supplied with a height adjustment feature and are also available with M12 inner thread. (Corrosion protection: zinc plated metal parts)



Applications: Cooling equipment (screw, scroll, piston, centrifugal and absorption machines), heat pumps, condenser units, compressor sets, etc.



SIDEVIEW



TOPVIEW

